

Pegboard: PB1824

SIZING:

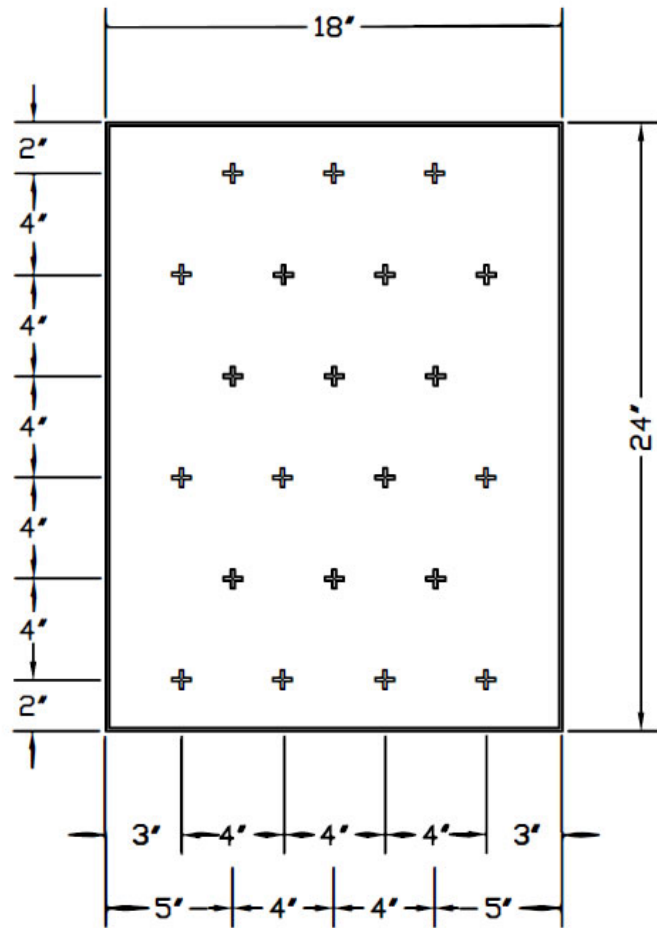
Width: 18"
 Height: 24"
 Thickness: 1"

PEG DETAILS:

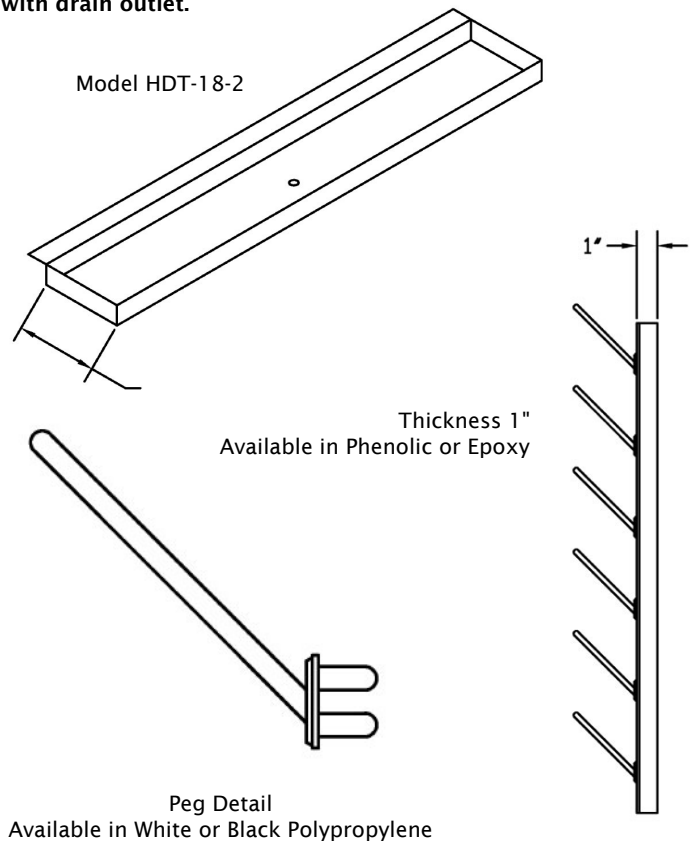
Number of Pegs: 21
 Peg Sizes: 5", 6.5", 8"
 Peg Color: Black or White

AVAILABLE IN:

Material: Epoxy or Phenolic
 Color: Industry Standard Black. Up-charge for Gray & White



Undermount Stainless Steel Drip Trough with Hose
 20 gauge material. 3/4" mounting flange with 1" deep trough
 with drain outlet.



DETAILS:

Epoxy resin and lab grade solid phenolic pegboards can be installed on walls, uprights and columns to provide a vertical drainage/drying space for lab glassware such as test tubes, beakers or bottles. Pegboards / drying racks support glassware with specially designed "no twist" 2-prong polypropylene pegs set at a 30° angle for maximum support.

A 2" [51 mm] wide stainless steel drip tray and tubing are included with all pegboard sizes. Stainless Steel trays are available to order separately if needed.

