

# Pegboard: PB3630

**SIZING:**

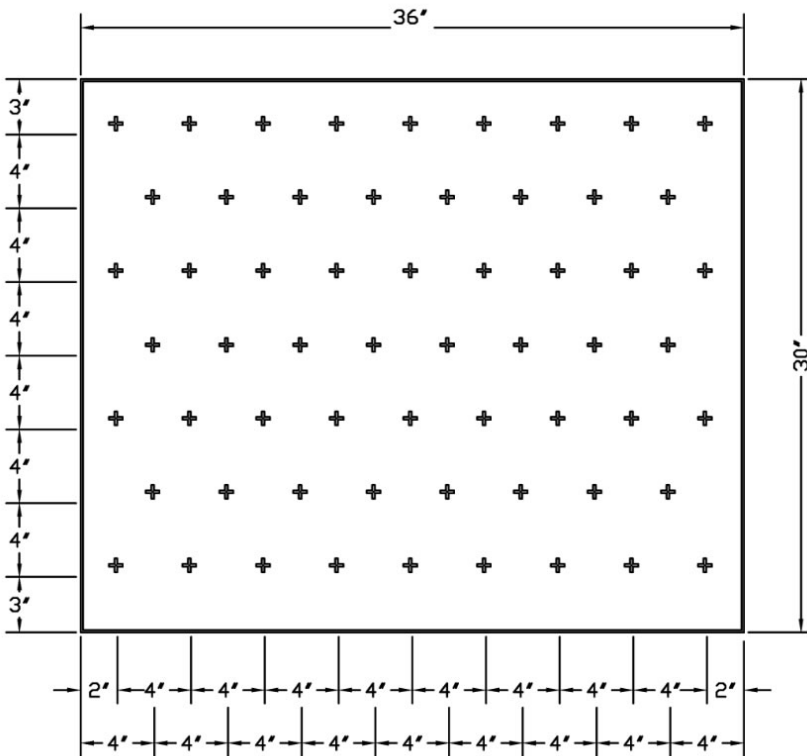
Width: 36"  
 Height: 30"  
 Thickness: 1"

**PEG DETAILS:**

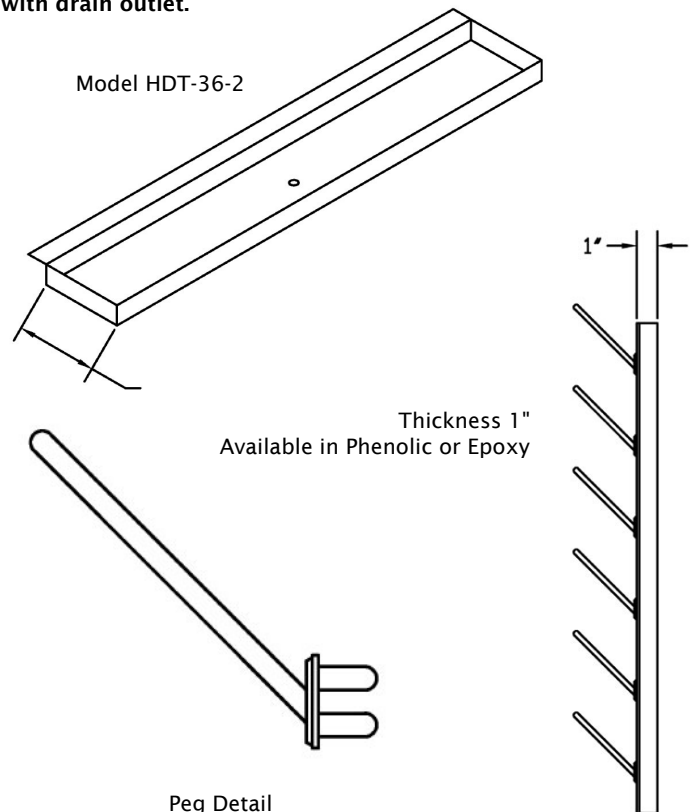
Number of Pegs: 60  
 Peg Sizes: 5", 6.5", 8"  
 Peg Color: Black or White

**AVAILABLE IN:**

Material: Epoxy or Phenolic  
 Color: Industry Standard Black. Up-charge for Gray & White



Undermount Stainless Steel Drip Trough with Hose  
 20 gauge material. 3/4" mounting flange with 1" deep trough  
 with drain outlet.



Peg Detail  
 Available in White or Black Polypropylene

**DETAILS:**

Epoxy resin and lab grade solid phenolic pegboards can be installed on walls, uprights and columns to provide a vertical drainage/drying space for lab glassware such as test tubes, beakers or bottles. Pegboards / drying racks support glassware with specially designed "no twist" 2-prong polypropylene pegs set at a 30° angle for maximum support.

A 2" [51 mm] wide stainless steel drip tray and tubing are included with all pegboard sizes. Stainless Steel trays are available to order separately if needed.

